

Tumble dryer

DE-683



Dryer featuring exceptional savings and effortless use



Priority on people

Certified ergonomic design with a human-centered approach for an outstanding user experience

- Lint filter
The horizontal filter drawer is positioned for easy access and cleaning without the need to bend down
- Large door opening for easy loading and unloading
- Easy access to vital parts from front and rear for simple servicing



Long-term savings

Innovative features to save money and time, and embrace a sustainable lifestyle with excellent water evaporation efficiency per kWh

- Moisture Balance (optional)
Helps to stop the drying process at the right time to save on energy costs



Pure control

Monitor your equipment and performance from anywhere, allowing to take action and to improve your business with OnE Laundry - the personal assistant for hygiene validation management, process management and revenue management (optional)



Outstanding productivity

Dry more laundry in less time: a game-changing improvement

- Reversing drum
Minimizes wrinkles and drying time to get an effective and even drying performance with 2 full loads per hour



Global Advanced Hygiene

Global Advanced Hygiene program package* with proven log 6 reduction** disinfection of textiles through the laundry process, fulfilling the criteria of all local approved standards

Main options and accessories

- Connection to booking- /payment- system or coin meter
- Stainless steel drum, Stainless steel front
- Fresh air intake
- Exhaust on top (Top evacuation is not available on steam heated tumble dryers)
- Insert for drying special equipment



* Programs available in the standard library of all products, excluding products for specific segments where water temperature is not controllable.

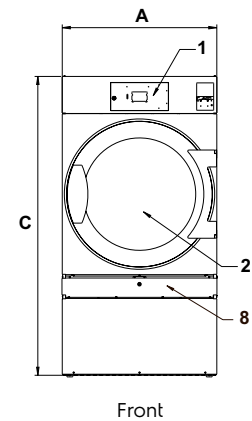
** Log 6 reduction equals to 99,9999% viral infectivity reduction. The efficacy of reduction of SARS-CoV-2 and other pathogens in the process is confirmed by RISE (The Research Institute of Sweden) on the basis of Electrolux Professional laboratory data.

Main specifications		DE-683			
Rated capacity, filling factor 1:18	kg/lb	37.5/82.7			
	filling factor 1:22	30.6/67.5			
Drum volume	litre/ft ³	675/23.8			
Drum diameter	mm/inch	913 / 35 15/16			
Heating alternatives	electric	32.0/40.0			
	gas	14 3400 (42)			
	steam at 87-102 psi	46			
Consumption data*		32.0 kW	40.0 kW	Gas	Steam
Total time at 67.5 lbs	min	28	23	23	22
Energy consumption at 67.5 lbs	kWh	15.10	15.08	16.42	19.27
Evaporation	oz/min	19.2	23.8	23.0	24.7
Energy kWh/gallon water evaporated	kWh/gallon	3.71	3.71	4.05	4.77

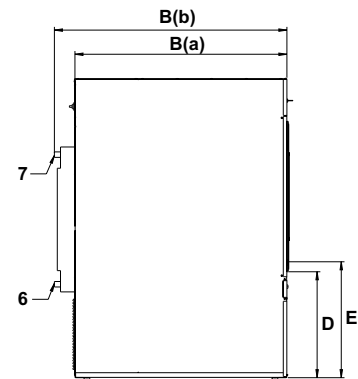
* At rated capacity 100% cotton load at 50% initial moisture dried to 0%.

Electrical connections					
Heating alternative	Main voltage	Hz	Heating power kW	Total power kW	Recommended ITCB A
	440V 3 -	60	32.0/40.0	33.5/41.5	60/70
	480V 3 -	60	32.0/40.0	33.5/41.5	50/70
Gas heated/ Steam heated	120V 1 -	60	-	1.8	20
	208-240V 1 -	60	-	1.7	15
	208-480V 3 -	60	-	1.5	15

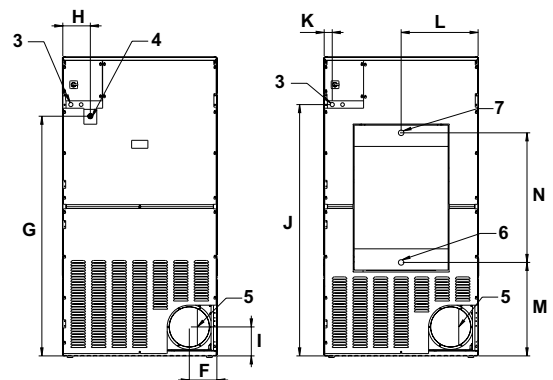
Steam, gas and air connections		DE-683	
Steam	ISO 7/1-R	1"	
Steam pressure	psi	14.5-145	
Steam consumption	lb/h	143.3	
Condensate	ISO 7/1-R	1"	
Gas	NG/PG	ISO 7/1-R	
Gas pressure	Natural gas	psi	0.29
		mbar	20
Propane		psi	0.40-0.54
		mbar	28-37
Air outlet	Ø mm / inch	200 / 7 7/8	
Maximum air flow:			
Electric 50 Hz / 60 Hz	m ³ /h / ft ³ /h	1140/1140 / 40259/40259	
Gas 50 Hz / 60 Hz	m ³ /h / ft ³ /h	1140/1140 / 40259/40259	
Steam 50 Hz / 60 Hz	m ³ /h / ft ³ /h	1380/1380 / 48734/48734	
Maximum static back pressure:			
Electric 50 Hz / 60 Hz	Pa / psi	270/800 / 0.039/0.116	
Gas 50 Hz / 60 Hz	Pa / psi	410/800 / 0.059/0.116	
Steam 50 Hz / 60 Hz	Pa / psi	900/1100 / 0.131/0.160	
Sound levels			
Sound pressure level*	dB(A)	<70	
Heat emission			
% of installed power, max		15	
Shipping data**			
Shipping volume	net, kg / lbs crated, m ³ / ft ³	283 / 624 3.25 / 115	
Dimensions in mm / inch			
A	Width	960	37 13/16
B(a)	Depth	1560	61 7/16
B(b)	Depth	1640	64 9/16
C	Height	1855	73 1/16
D		660	26
E		720	28 3/8
F		170	6 11/16
G		1490	58 11/16
H		200	7 7/8
I		180	7 1/6
J		1560	61 7/16
K		50	1 15/16
L		480	18 7/8
M		580	22 13/16
N		805	31 11/16
1 Control panel			
2 Door opening Ø 810 mm / 31 7/8 inch			
3 Electrical connection			
4 Gas connection			
5 Exhaust connection			
6 Condensate connection			
7 Steam connection			
8 Lint screen			



Front



Left side



EI, gas

Steam

Rear side

* A-weighted emission sound pressure level at workingstations.

** Average data. Crated weight/shipping volume depends on configuration. Please contact logistics for exact measures.